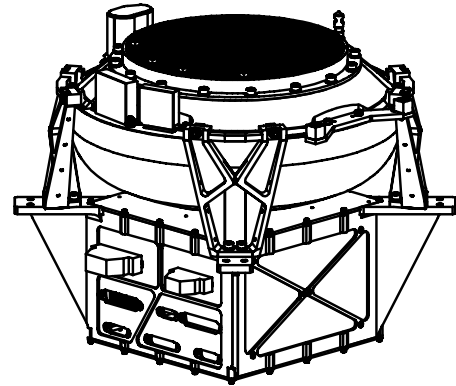
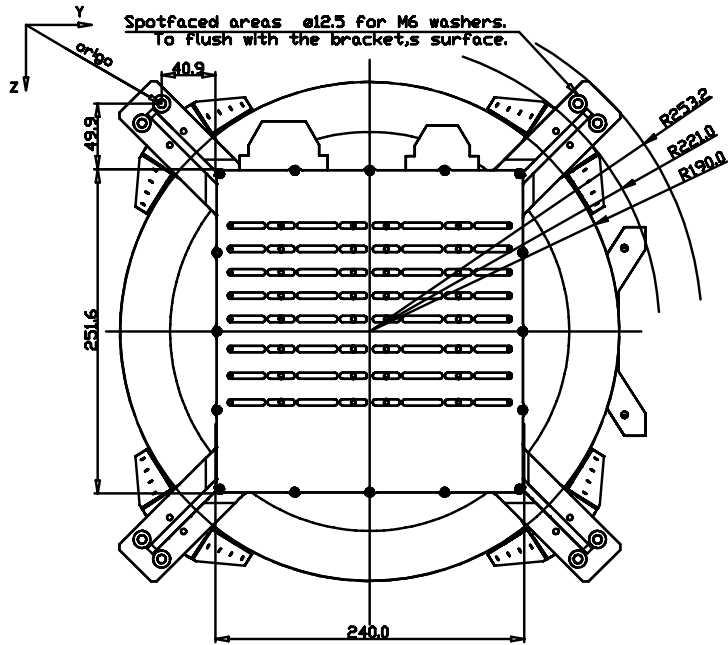


Bottom view



Mechanical Properties:

All bolts and nuts will be tightened according to ESA PSS-03-206 issue 1, page 18-10 (friction coefficient = 0.1), strength grade 8.8 or strength class 70.

Mass:

Flight Model = 27.6 kg
 CoG in coordinates (50.7,158.3,175.2)
 MoI X-axis = 0.51 kgmm²
 Y-axis = 0.56 kgmm²
 Z-axis = 0.56 kgmm²

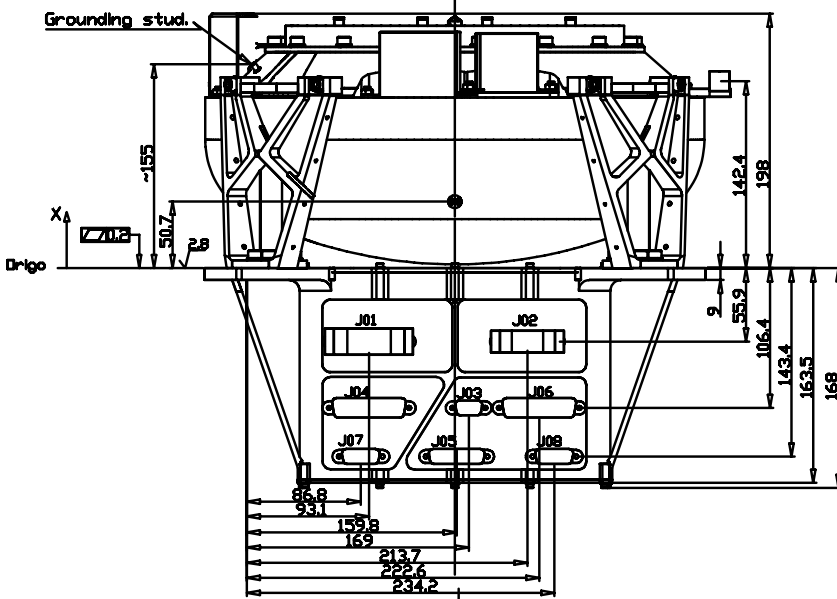
Electrical properties:

Power:
 Detector = 5.8W
 DFEE = 24.1W

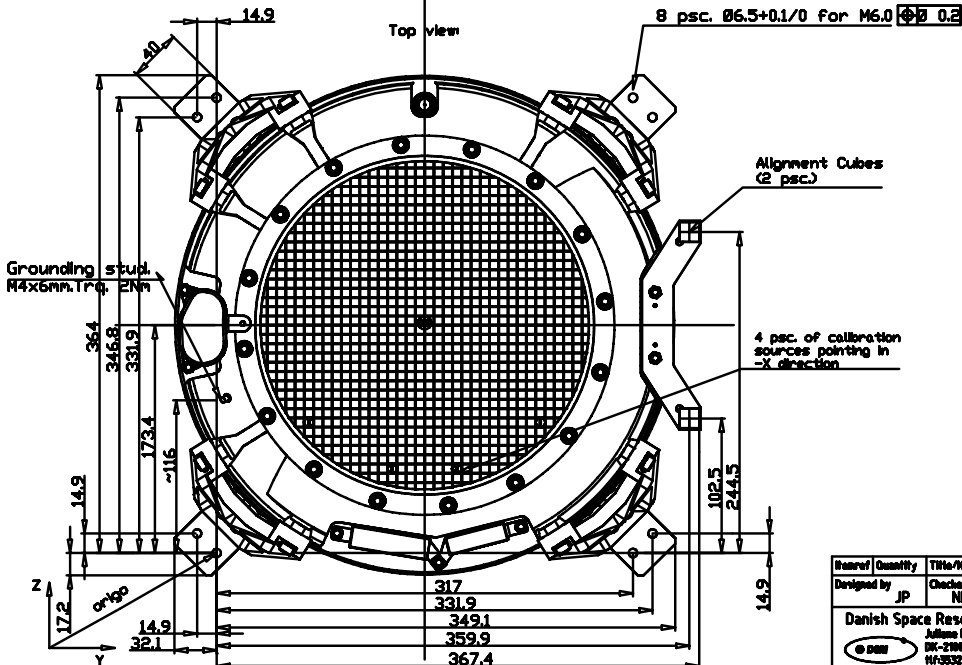
Thermal properties:

Thermal surfaces: All DFEE surfaces are painted with Chenglaze Z306 (emission coefficient = 0.85). The Detector dome has emission coefficient = 0.93. The conical surface of the detector's Main Frame has the emission coefficient = 0.7. Thermistor positions are shown on drawings: JEMX-ENTHL/B/1 and Hybrico N543.

Side view



Top view



| Item/Quantity | Title/Name, designation, material, dimension etc | Article No./Reference | Scale |
|---------------------------------|--------------------------------------------------|---------------------------------------|-----------------------|
| Designed by JP | Checked by NL | Approved by - date NL-31.08.01 | Flansee samling17 |
| Danish Space Research Institute | | Title/Name | Article No./Reference |
| Adlane Høsten Vej 38 | | JEM-X; Interface Control Drawing, -FM | 31-08-2001 |
| DK-2100 Copenhagen East | | Drawing number | Scale |
| HF-05325030/face3343475 | | JEM - X - 130100 | D |
| | | Edition | Sheet |
| | | | 1/1 |